

# **Temperature Monitor**

## **Quick Start Guide**

## Technical specifications (Data subject to change without notice)

Power supply	Rating	Tolerance	Maximum	Wire color
Voltage	24VDC	18-34VDC		White
Current	70mA		2.2 WDC	Brown

### Relay outputs

Contact Voltage	30 VDC
Contact Current	100 mADC

### Temperature sensor

PT100 2, 3 or 4-Wire (2 sensors supplied with the Level Monitor)

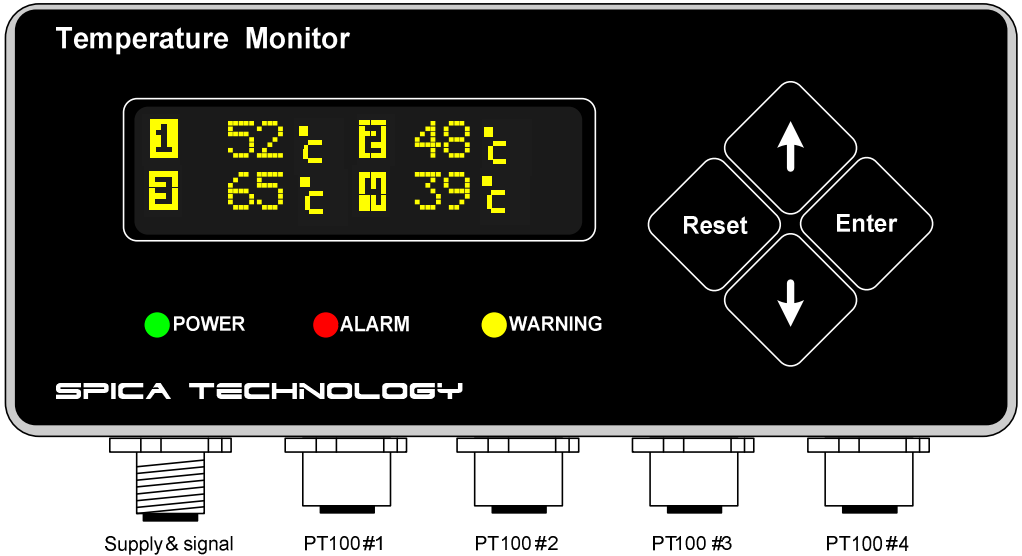
### Cable 8-pin M12 Wire color

Power supply +	WH (White)
Power supply -	BR (Brown)

Alarm relay	GY (Gray)
Warning relay	YE (Yellow)
Relay common	GN (Green)

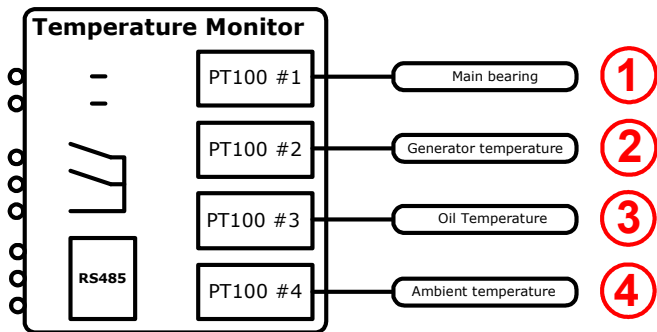
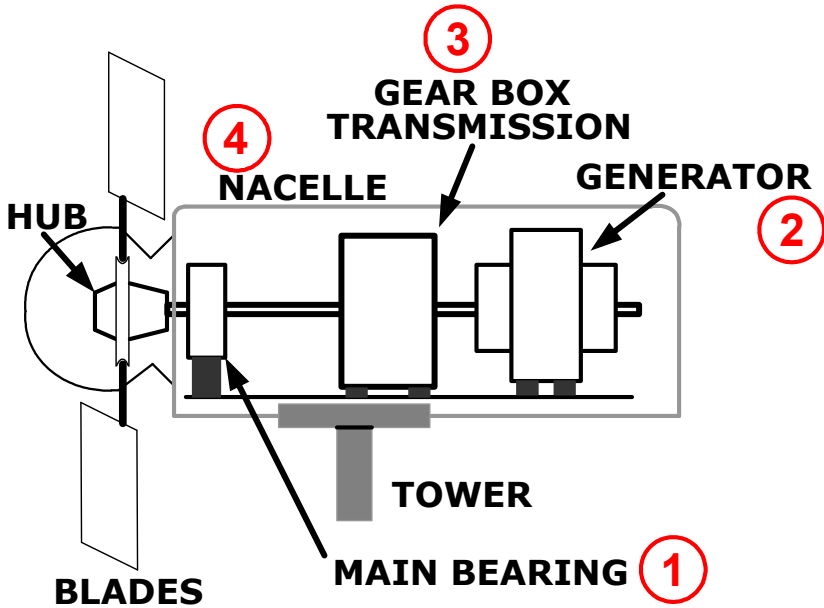
RS485 'A'	PK (Pink)
RS485 'B'	BU (Blue)
RS485 common	RD (Red)

## Connections:





Connect the cables from each sensor to the corresponding 4-pole M12 connectors, and the cable from the topbox carrying power supply and signals to the 8-pole M12 connector.

## Suggestion to placing of sensors



## Information on the Level Monitor

### Display

The black numbers on yellow background  is the indicator for the relevant sensor input. The value  next to it displays the measured value for the current input.



### LED indication




The green 'POWER' LED is lit whenever the power is supplied to the unit.

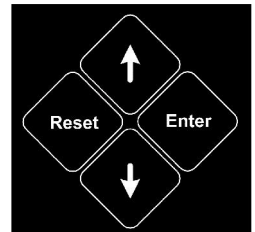
The red 'ALARM' LED is lit whenever one or more of the adjusted Alarm values are exceeded.

The yellow 'WARNING' LED is lit whenever one or more of the adjusted Warning values are exceeded.

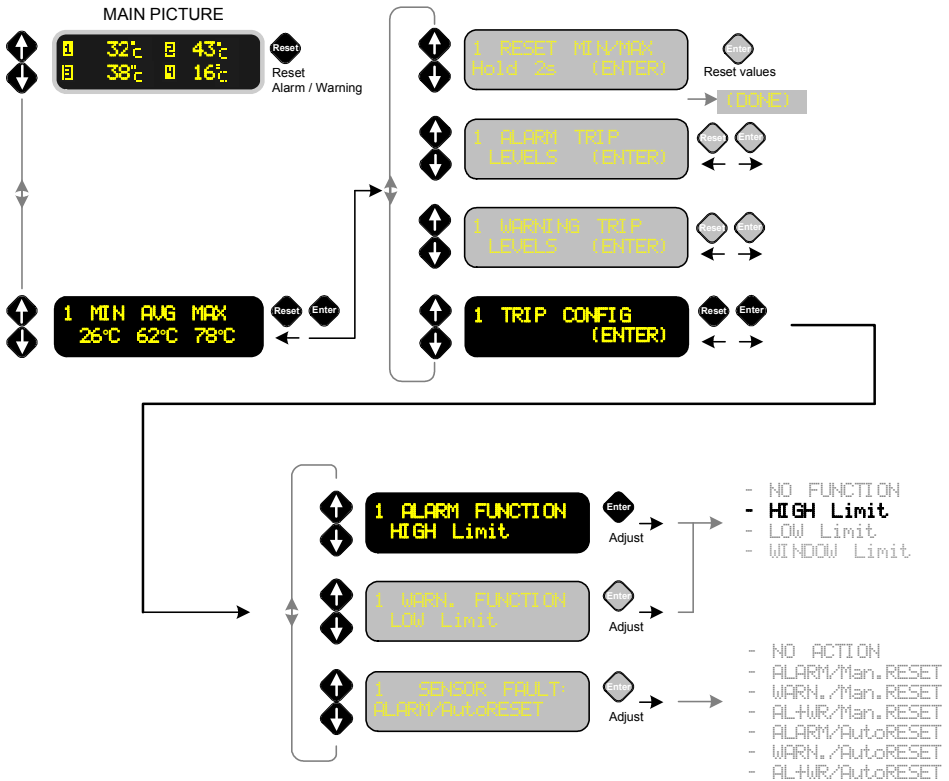
### Keypad

Use the arrow keys to navigate through the menu system, and select the relevant menu step with the 'Enter' key.

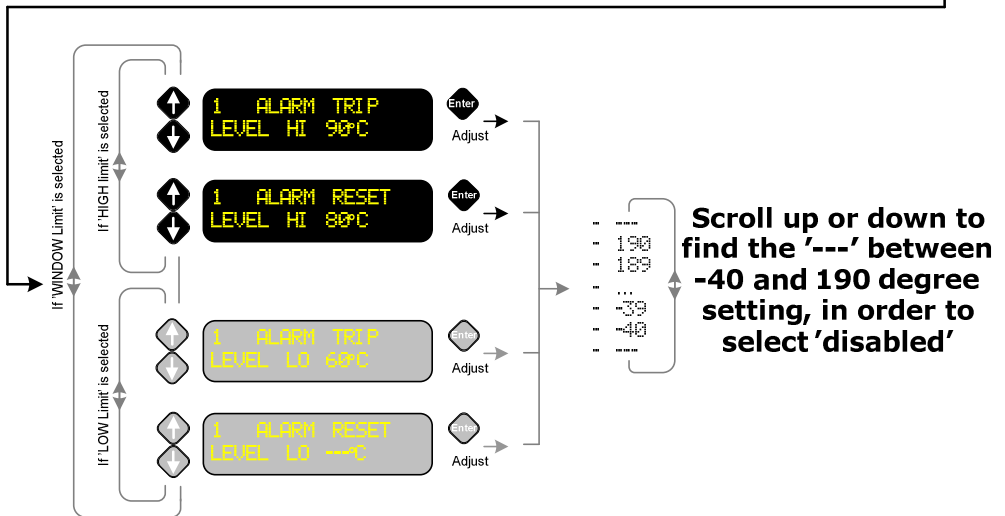
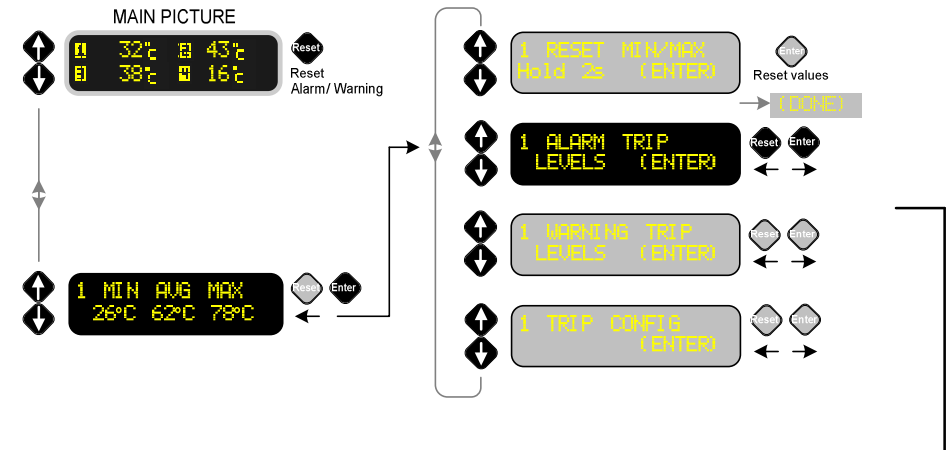
The 'Enter' key is also used to enter the selected value, e.g. the wanted 'HIGH TRIP' level for one of the alarms. A flashing double arrow  in the lower right corner of the display indicates that a value can be adjusted.



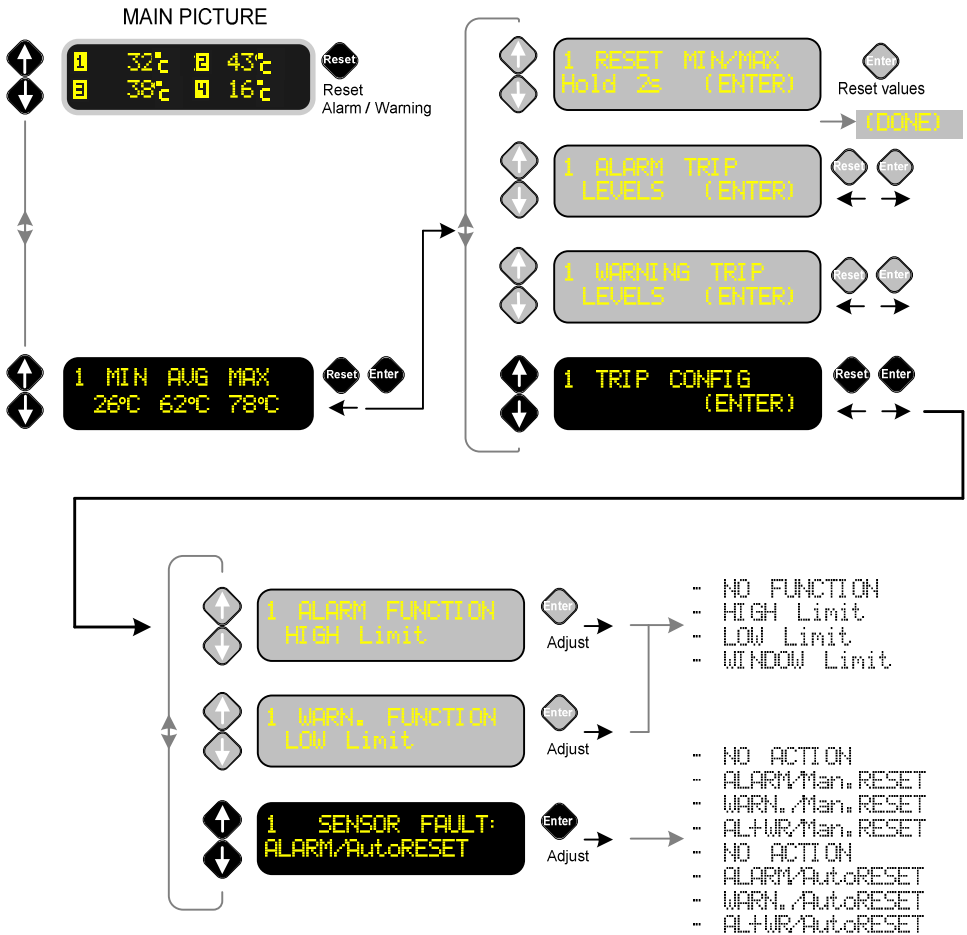
## Adjustment of parameters (HIGH LIMIT shown)



## Value setting (HIGH LIMIT shown)



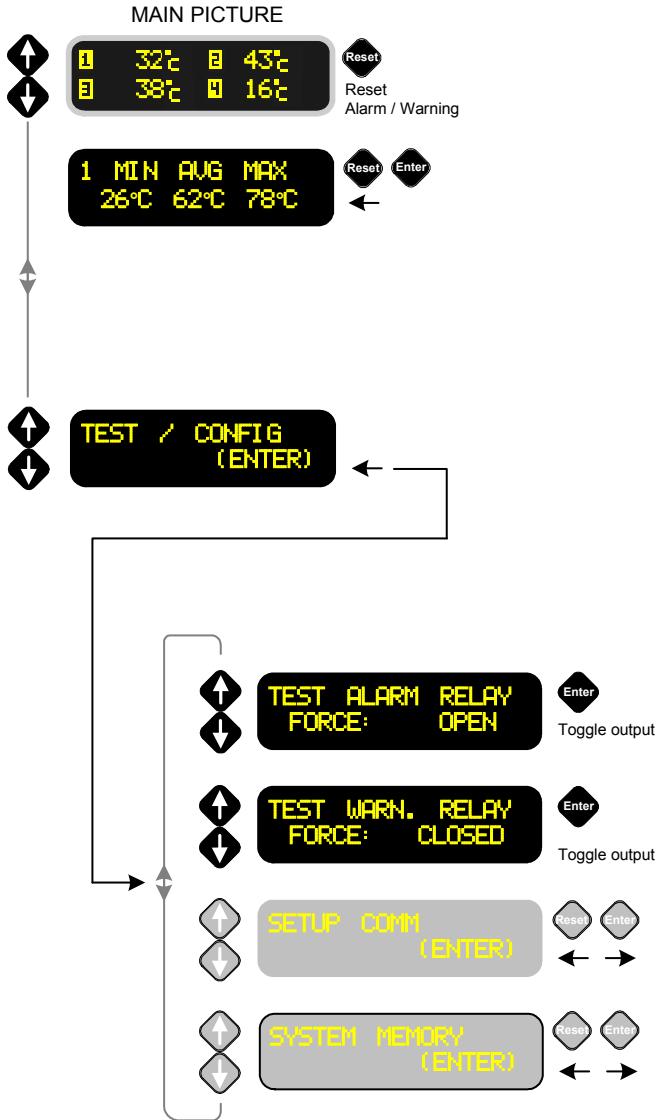
## Sensor fault function settings (Shown for input 1 only)





## Switching the ALARM and WARNING relays

The relays can be toggled individually for testing purpose only.



0513029 QSG  
2013-11-18